

«« Safety Storage Cabinets

Underbench cabinets - A technology which sets new standards

Flexible - Safe - Convenient

Efficient storage and disposal of hazardous materials.

Fire resistant underbench cabinets are a standard in every laboratory. They can be easily integrated underneath laboratory fume hoods and in daily use ensure optimum and safe supply and disposal of flammables at the workplace. Also in the industry sector underbenches can be easily fitted underneath workbenches.

TYPE 90 EN 14470-1
Fire resistance
90 minutes
FIRE CHAMBER TESTED - TYPE PROVED

Approved storage of hazardous materials at the workplace in accordance with EN 14470-1 (Type 90)
All cabinets also available in 500 mm depth



Cabinet width 1400 mm - 2 drawers
Model VBF.60.140-S - Depth 570 mm
Model VBF.60.14.5-S - Depth 500 mm



Cabinet width 1400 mm - 2 wing doors/1 drawer
Model VBF.60.140-T - Depth 570 mm
Model VBF.60.14.5-T - Depth 500 mm



Cabinet width 1100 mm - 1 drawer
Model VBF.60.110-S - Depth 570 mm
Model VBF.60.11.5-S - Depth 500 mm



Cabinet width 1100 mm - 2 drawers
Model VBF.60.110-2S - Depth 570 mm
Model VBF.60.11.5-2S - Depth 500 mm



Cabinet width 1100 mm - 2 wing doors
Model VBF.60.110-T - Depth 570 mm
Model VBF.60.11.5-T - Depth 500 mm



Cabinet width 1100 mm - 1 wing door/1 drawer
Model VBF.60.110-A - Depth 570 mm
Model VBF.60.11.5-A - Depth 500 mm



Cabinet width 890 mm - 1 drawer
Model VBF.60.89-S - Depth 570 mm
Model VBF.60.89.5-S - Depth 500 mm



Cabinet width 890 mm - 2 wing doors
Model VBF.60.89-T - Depth 570 mm
Model VBF.60.89.5-T - Depth 500 mm



Cabinet width 590 mm - 1 drawer
Model VBF.60.59-S - Depth 570 mm
Model VBF.60.59.5-S - Depth 500 mm



Cabinet width 590 mm - 1 wing door
Model VBF.60.59-T - Depth 570 mm
Model VBF.60.59.5-T - Depth 500 mm

Type 90 Underbench cabinets

Underbench cabinets with drawers or wing doors

Convenience - smooth-running drawers and doors

Safety in handling - Drawers and doors remain open in every position

Safety in the event of a fire - Automatic closing of drawers and doors due to a thermal release system (fusible link)

Earthing - Earthing wire with clamp inside the drawers. Cabinet corpus with earthing connection as a standard

Movable plinth - Makes the cabinet fit perfectly underneath fume cupboards or workbenches. Rugged castors facilitate moving the cabinet

Operation - Effortless and safe opening of the drawers

Drawers

- Remain open in every position
- Interior completely visible - easy and safe access to all containers
- Earthing wire with clamp inside the drawer for used containers (standard)
- Bottom collecting sump sealed by welding, impervious to fluids

Second level drawer (optional)

- Perfect utilisation of the inside space when storing small units
- Remain open in every position
- Sealed by welding - Impervious to fluids
- Usable height approx. 225 mm (when using a rubber mat or PP-sump: 220 mm)

Wing doors

- Remain open in every position
- 135° opening, interior of the cabinet completely visible

Bottom air extraction

- Possible with a base

Accessories

- Sump liners for drawers and second level drawers, precision fitted and removable
- Castors underneath the cabinet to easily move the cabinet from underneath the fume hood
- Rubber mats, bottle racks
- Certified fire protected add-on for access of pipes and cables through cabinet walls



Earthing wire with clamp, standard installed within the waste material drawer - safe transfilling of hazardous materials!



Second level drawer

Ideal to store small containers in a drawer. Optimal use of storage capacities on 2 levels.



Movable plinth - Improved handling

The cabinet can be easily pulled back and forth when installed underneath a fume cupboard or workbench. When exactly positioned, the plinth can be arrested.



with restrictions

EN  CE

RAL 7035



Type tested according to EN 14470-1 (Type 90).

«« Safety Storage Cabinets

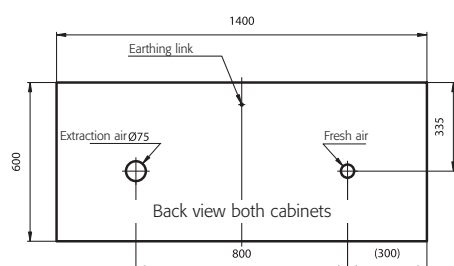
Type 90 Underbench cabinets



Model VBF.60.140-S with 2 drawers



Model VBF.60.14.5-S with 2 drawers



Ventilation (both cabinets)

Extraction air connection \varnothing	mm	75
Change of air (10 times)	m ³ /h	3
Pressure drop	Pa	1

Safety Storage Cabinets

90 minutes fire resistance in accordance with

EN 14470-1 (90 minutes fire rated - Type 90)

GS and CE conformity

Labelling in accordance with EN 14470-1

VBF.60.140-S

Dimensions W x D x H (mm):

exterior approx. 1400 x 570 x 600

interior approx. 770 x 450 x 500

approx. 470 x 450 x 500

Weight: approx. 231 kg

Drawers

Dimensions W x D x H (mm):

Left: approx. 722 x 442 x 80

Capacity: approx. 22 ltr.

Right: approx. 422 x 442 x 80

Capacity: approx. 12 ltr.

Load capacity (evenly distributed load):

50 kg each drawer

Useable interior height:

approx. 460 mm (without perforated metal plate insert)

VBF.60.14.5-S

Dimensions W x D x H (mm):

exterior approx. 1400 x 500 x 600

interior approx. 770 x 380 x 500

approx. 470 x 380 x 500

Weight: approx. 208 kg

Drawers

Dimensions W x D x H (mm):

Left: approx. 722 x 372 x 80

Capacity: approx. 20 ltr.

Right: approx. 422 x 372 x 80

Capacity: approx. 10 ltr.

Load capacity (evenly distributed load):

50 kg each drawer

Useable interior height:

approx. 460 mm (without perforated metal plate insert)

Type 90 Underbench cabinets with 2 drawers

Model	Material, colour	recommended quantity	Order Code
VBF.60.140-S, Underbench cabinet, with drawers	light grey, RAL 7035		21166
Interior equipment			
Second level drawer, left side	sheet-steel, plastic laminated		9609
Second level drawer, right side	sheet-steel, plastic laminated		9608
VBF.60.14.5-S, Underbench cabinet, with drawers	light grey, RAL 7035		18807
Accessories (both models)			
Movable plinth, height 30 mm	sheet-steel, plastic laminated		21714
Movable plinth, height 65 mm (30 mm + 35 mm faceplate)	sheet-steel, plastic laminated		21896

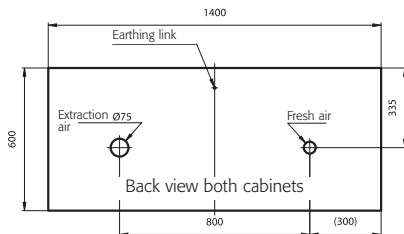
Type 90 Underbench cabinets



Model VBF.60.140-T with 2 wing doors, 1 drawer



Model VBF.60.140-T with 2 wing doors, 1 drawer



Ventilation (both cabinets)

Extraction air connection \varnothing	mm	75
Change of air (10 times)	m ³ /h	3
Pressure drop	Pa	1

Safety Storage Cabinets

90 minutes fire resistance in accordance with EN 14470-1 (**90 minutes fire rated - Type 90**)

GS and CE conformity

Labelling in accordance with EN 14470-1

VBF.60.140-T

Dimensions W x D x H (mm):

exterior approx. 1400 x 570 x 600

interior approx. 770 x 450 x 500

approx. 470 x 450 x 500

Weight: **approx. 226,5 kg**

Drawer

Dimensions W x D x H (mm):

approx. 422 x 442 x 80

Capacity: **approx. 12 ltr.**

Load capacity (evenly distributed load): **50 kg**

Useable interior height:

approx. 460 mm (without perforated metal plate insert)

Shelf

Dimensions W x D x H (mm):

approx. 762 x 415 x 20

Load capacity (evenly distributed load): **75 kg**

Capacity of the bottom collecting sump:

approx. 20 ltr.

VBF.60.14.5-T

Dimensions W x D x H (mm):

exterior approx. 1400 x 500 x 600

interior approx. 770 x 380 x 500

approx. 470 x 380 x 500

Weight: **approx. 203,5 kg**

Drawer

Dimensions W x D x H (mm):

approx. 422 x 372 x 80

Capacity: **approx. 10 ltr.**

Load capacity (evenly distributed load): **50 kg**

Useable interior height: **approx. 460 mm**

(without perforated metal plate insert)

Shelf

Dimensions W x D x H (mm):

approx. 762 x 345 x 20

Load capacity (evenly distributed load): **75 kg**

Capacity of the bottom collecting sump:

approx. 15 ltr.

Type 90 Underbench cabinets with 2 wing doors and 1 drawer

Model	Material, colour	recommended quantity	Order Code
VBF.60.140-T , Underbench cabinet, with wing doors + drawer	light grey, RAL 7035		21173
Interior equipment (wing doors)			
Bottom collecting sump (V=20 ltr.)	sheet-steel, plastic laminated	1	12681
Perforated insert	sheet-steel, plastic laminated	1	11165
Shelf	sheet-steel, plastic laminated	1	12680
Interior equipment (drawer)			
Second level drawer, right side	sheet-steel, plastic laminated		9608
VBF.60.14.5-T , Underbench cabinet, with wing doors + drawer	light grey, RAL 7035		18808
Interior equipment (wing doors)			
Bottom collecting sump (V=18 ltr.)	sheet-steel, plastic laminated	1	18810
Perforated insert	sheet-steel, plastic laminated	1	18811
Shelf	sheet-steel, plastic laminated	1	16591
Accessories (both models)			
Movaleble plinth, height 30 mm	sheet-steel, plastic laminated		21714
Movaleble plinth, height 65 mm (30 mm + 35 mm faceplate)	sheet-steel, plastic laminated		21896

«« Safety Storage Cabinets

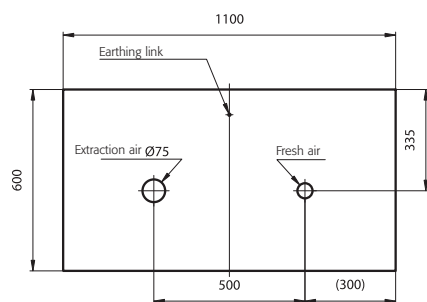
Type 90 Underbench cabinets



Model **VBF.60.110-S** with 1 drawer



Model **VBF.60.11.5-S** with 1 drawer



Back view both cabinets

Ventilation (both cabinets)

Extraction air connection \varnothing	mm	75
Change of air (10 times)	m ³ /h	2
Pressure drop	Pa	1

Safety Storage Cabinets

90 minutes fire resistance in accordance with

EN 14470-1 (90 minutes fire rated - Type 90)

GS and CE conformity

Labelling in accordance with **EN 14470-1**

VBF.60.110-S

Dimensions W x D x H (mm):

exterior approx. 1100 x 570 x 600

interior approx. 980 x 450 x 500

Weight: **approx. 180,5 kg**

Drawer

Dimensions W x D x H (mm):

approx. 930 x 442 x 80

Capacity: **approx. 27 ltr.**

Load capacity (evenly distributed load): **50 kg**

Useable interior height:

approx. 460 mm (without perforated metal plate insert)

VBF.60.11.5-S

Dimensions W x D x H (mm):

exterior approx. 1100 x 500 x 600

interior approx. 980 x 380 x 500

Weight: **approx. 163,5 kg**

Drawer

Dimensions W x D x H (mm):

approx. 930 x 372 x 80

Capacity: **approx. 24 ltr.**

Load capacity (evenly distributed load): **50 kg**

Useable interior height:

approx. 460 mm (without perforated metal plate insert)

Type 90 Underbench cabinets with 1 drawer

Model	Material, colour	recommended quantity	Order Code
VBF.60.110-S , Underbench cabinet, with drawer	light grey, RAL 7035		21146
Interior equipment			
Second level drawer	sheet-steel, plastic laminated		8053
VBF.60.11.5-S , Underbench cabinet, with drawer	light grey, RAL 7035		16557
Accessories (both models)			
Movable plinth, height 30 mm	sheet-steel, plastic laminated		19705
Movable plinth, height 65 mm (30 mm + 35 mm faceplate)	sheet-steel, plastic laminated		21895

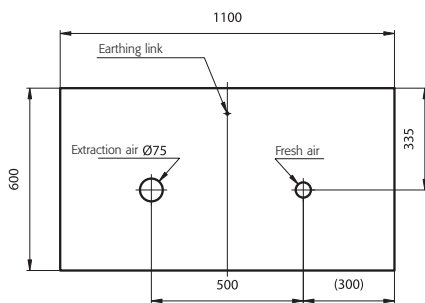
Type 90 Underbench cabinets



Model **VBF.60.110-2S** with 2 drawers



Model **VBF.60.11.5-2S** with 2 drawers



Back view both cabinets

Ventilation (both cabinets)

Extraction air connection \varnothing	mm	75
Change of air (10 times)	m ³ /h	2
Pressure drop	Pa	1

Safety Storage Cabinets

90 minutes fire resistance in accordance with

EN 14470-1 (90 minutes fire rated - Type 90)

GS and CE conformity

Labelling in accordance with **EN 14470-1**

VBF.60.110-2S

Dimensions W x D x H (mm):

exterior approx. 1100 x 570 x 600

interior 2 x approx. 470 x 450 x 500

Weight: **approx. 185,5 kg**

Drawers

Dimensions W x D x H (mm):

2 x approx. 422 x 442 x 80

Capacity: **approx. 22 ltr.**

Load capacity (evenly distributed load): **50 kg / drawer**

Useable interior height:

approx. 460 mm (without perforated metal plate insert)

VBF.60.11.5-2S

Dimensions W x D x H (mm):

exterior approx. 1100 x 500 x 600

interior 2 x approx. 470 x 380 x 500

Weight: **approx. 167 kg**

Drawers

Dimensions W x D x H (mm):

2 x approx. 422 x 372 x 80

Capacity: **approx. 20 ltr.**

Load capacity (evenly distributed load): **50 kg / drawer**

Useable interior height:

approx. 460 mm (without perforated metal plate insert)

Type 90 Underbench cabinets with 2 drawers

Model	Material, colour	recommended quantity	Order Code
VBF.60.110-2S , Underbench cabinet, with drawers	light grey, RAL 7035		21127
Equipment variations			
Second level drawer, left or right	sheet-steel, plastic laminated		9608
VBF.60.11.5-2S , Underbench cabinet, with drawers	light grey, RAL 7035		21118
Accessories (both models)			
Movable plinth, height 30 mm	sheet-steel, plastic laminated		19705
Movable plinth, height 65 mm (30 mm + 35 mm faceplate)	sheet-steel, plastic laminated		21895

«« Safety Storage Cabinets

Type 90 Underbench cabinets

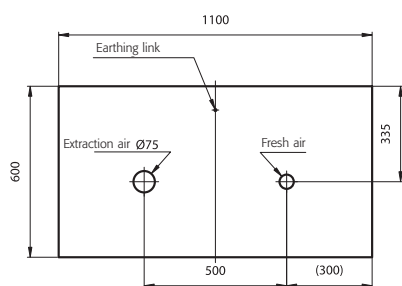


Model VBF.60.110-T with 2 wing doors



Model VBF.60.11.5-T with 2 wing doors

500 mm



Back view both cabinets

Ventilation (both cabinets)

Extraction air connection \varnothing	mm	75
Change of air (10 times)	m ³ /h	2
Pressure drop	Pa	1

Safety Storage Cabinets

90 minutes fire resistance in accordance with **EN 14470-1**

(90 minutes fire rated - Type 90)

GS and CE conformity

Labelling in accordance with **EN 14470-1**

VBF.60.110-T

Dimensions W x D x H (mm):

exterior approx. 1100 x 570 x 600

interior approx. 980 x 450 x 500

Weight: **approx. 170,5 kg**

Shelf

Dimensions W x D x H (mm):

approx. 970 x 415 x 20

Load capacity (evenly distributed load): **75 kg**

Capacity of the bottom collecting sump: **approx. 30 ltr.**

Useable interior height:

approx. 460 mm (without perforated metal plate insert)

VBF.60.11.5-T

Dimensions W x D x H (mm):

exterior approx. 1100 x 500 x 600

interior approx. 980 x 380 x 500

Weight: **approx. 152 kg**

Shelf

Dimensions W x D x H (mm):

approx. 970 x 345 x 20

Load capacity (evenly distributed load): **75 kg**

Capacity of the bottom collecting sump: **approx. 25 ltr.**

Useable interior height:

approx. 460 mm (without perforated metal plate insert)

Type 90 Underbench cabinets with 2 wing doors

Model	Material, colour	recommended quantity	Order Code
VBF.60.110-T , Underbench cabinet, with wing doors	light grey, RAL 7035		21156
Interior equipment			
Bottom collecting sump (V=20 ltr.)	sheet-steel, plastic laminated	1	8372
Perforated insert	sheet-steel, plastic laminated	1	8374
Shelf	sheet-steel, plastic laminated	1	8376
VBF.60.11.5-T , Underbench cabinet, with wing doors	light grey, RAL 7035		21119
Interior equipment			
Bottom collecting sump (V=18 ltr.)	sheet-steel, plastic laminated	1	18812
Perforated insert	sheet-steel, plastic laminated	1	18813
Shelf	sheet-steel, plastic laminated	1	16593
Accessories (both models)			
Movable plinth, height 30 mm	sheet-steel, plastic laminated		19705
Movable plinth, height 65 mm (30 mm + 35 mm faceplate)	sheet-steel, plastic laminated		21895

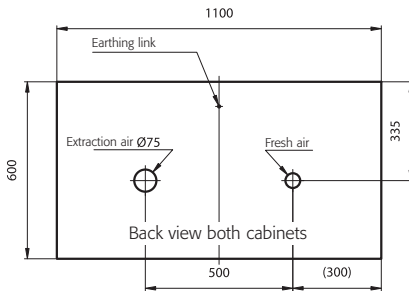
Type 90 Underbench cabinets



Model VBF.60.110-A with 1 wing door, 1 drawer



Model VBF.60.11.5-A with 1 wing door, 1 drawer



Ventilation (both cabinets)

Extraction air connection \varnothing	mm	75
Change of air (10 times)	m ³ /h	2
Pressure drop	Pa	1

Safety Storage Cabinets

90 minutes fire resistance in accordance with **EN 14470-1 (90 minutes fire rated - Type 90)**
GS and CE conformity
Labelling in accordance with **EN 14470-1**

VBF.60.110-A

Dimensions W x D x H (mm):
exterior approx. 1100 x 570 x 600
interior approx. 2 x 470 x 450 x 500
Weight: **approx. 179 kg**

Drawer

Dimensions W x D x H (mm):
approx. 422 x 442 x 80
Capacity: **approx. 12 ltr.**
Load capacity (evenly distributed load): **50 kg**
Useable interior height: **approx. 460 mm**
(without perforated metal plate insert)

Shelf

Dimensions W x D x H (mm):
approx. 460 x 415 x 20
Load capacity (evenly distributed load): **75 kg**
Capacity of the bottom collecting sump: **approx. 14 ltr.**
Usable interior height approx. 455 mm (without perforated metal plate insert)

VBF.60.11.5-A

Dimensions W x D x H (mm):
exterior approx. 1100 x 500 x 600
interior approx. 2 x 470 x 380 x 500
Weight: **approx. 159,5 kg**

Drawer

Dimensions W x D x H (mm):
approx. 422 x 372 x 80
Capacity: **approx. 10 ltr.**
Load capacity (evenly distributed load): **50 kg**
Useable interior height: **approx. 460 mm**
(without perforated metal plate insert)

Shelf

Dimensions W x D x H (mm):
approx. 460 x 345 x 20
Load capacity (evenly distributed load): **75 kg**
Capacity of the bottom collecting sump: **approx. 12 ltr.**
Usable interior height approx. 400 mm (without perforated metal plate insert)

Type 90 Underbench cabinets with 1 wing door and 1 drawer

Model	Material, colour	recommended quantity	Order Code
VBF.60.110-A , Underbench cabinet, with wing door + drawer	light grey, RAL 7035		21140
Interior equipment (wing door)			
Bottom collecting sump (V=14 ltr.)	sheet-steel, plastic laminated	1	7270
Perforated insert	sheet-steel, plastic laminated	1	5555
Shelf	sheet-steel, plastic laminated	1	7275
Interior equipment (drawer)			
Second level drawer, right side	sheet-steel, plastic laminated		9608
VBF.60.11.5-A , Underbench cabinet, with wing door + drawer	light grey, RAL 7035		17638
Interior equipment (wing door)			
Bottom collecting sump (V=12 ltr.)	sheet-steel, plastic laminated	1	17671
Perforated insert	sheet-steel, plastic laminated	1	18814
Shelf	sheet-steel, plastic laminated	1	16594
Accessories (both models)			
Movable plinth, height 30 mm	sheet-steel, plastic laminated		19705
Movable plinth, height 65 mm (30 mm + 35 mm faceplate)	sheet-steel, plastic laminated		21895

«« Safety Storage Cabinets

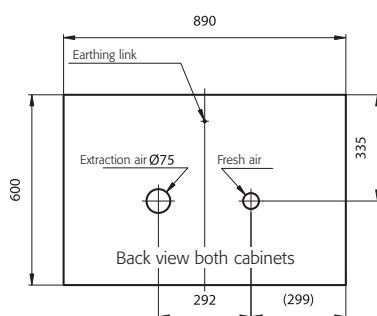
Type 90 Underbench cabinets



Model VBF.60.89-S with 1 drawer



Model VBF.60.89.5-S with 1 drawer



Ventilation (both cabinets)

Extraction air connection \varnothing	mm	75
Change of air (10 times)	m ³ /h	2
Pressure drop	Pa	1

Safety Storage Cabinets

90 minutes fire resistance in accordance with **EN 14470-1**

(90 minutes fire rated - Type 90)

GS and CE conformity

Labelling in accordance with **EN 14470-1**

VBF.60.89-S

Dimensions W x D x H (mm):

exterior approx. 890 x 570 x 600

interior approx. 770 x 450 x 500

Weight: **approx. 146 kg**

Drawer

Dimensions W x D x H (mm):

approx. 722 x 442 x 80

Capacity: **approx. 22 ltr.**

Load capacity (evenly distributed load): **50 kg**

Useable interior height:

approx. 460 mm (without perforated metal plate insert)

VBF.60.89.5-S

Dimensions W x D x H (mm):

exterior approx. 890 x 500 x 600

interior approx. 770 x 380 x 500

Weight: **approx. 134 kg**

Drawer

Dimensions W x D x H (mm):

approx. 722 x 372 x 80

Capacity: **approx. 20 ltr.**

Load capacity (evenly distributed load): **50 kg**

Useable interior height:

approx. 460 mm (without perforated metal plate insert)

Type 90 Underbench cabinets with 1 drawer

Model	Material, colour	recommended quantity	Order Code
VBF.60.89-S, Underbench cabinet, with drawer	light grey, RAL 7035		21201
Interior equipment			
Second level drawer	sheet-steel, plastic laminated		9609
VBF.60.89.5-S, Underbench cabinet, with drawer	light grey, RAL 7035		16558
Accessories (both models)			
Movable plinth, height 30 mm	sheet-steel, plastic laminated		21892
Movable plinth, height 65 mm (30 mm + 35 mm faceplate)	sheet-steel, plastic laminated		21894

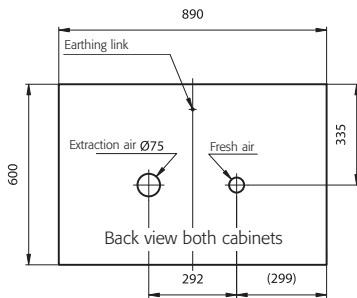
Type 90 Underbench cabinets



Model VBF.60.89-T with 2 wing doors



Model VBF.60.89.5-T with 2 wing doors



Ventilation (both cabinets)

Extraction air connection \varnothing	mm	75
Change of air (10 times)	m ³ /h	2
Pressure drop	Pa	1

Safety Storage Cabinets

90 minutes fire resistance in accordance with **EN 14470-1**

(90 minutes fire rated - Type 90)

GS and CE conformity

Labelling in accordance with **EN 14470-1**

VBF.60.89-T

Dimensions W x D x H (mm):

exterior approx. 890 x 570 x 600

interior approx. 770 x 450 x 500

Weight: **approx. 139 kg**

Shelf

Dimensions W x D x H (mm):

approx. 762 x 450 x 20

Load capacity (evenly distributed load): **75 kg**

Capacity of the bottom collecting sump: **approx. 20 ltr.**

Useable interior height:

approx. 400 mm (without perforated metal plate insert)

VBF.60.89.5-T

Dimensions W x D x H (mm):

exterior approx. 890 x 500 x 600

interior approx. 770 x 380 x 500

Weight: **approx. 128 kg**

Shelf

Dimensions W x D x H (mm):

approx. 762 x 380 x 20

Load capacity (evenly distributed load): **75 kg**

Capacity of the bottom collecting sump: **approx. 15 ltr.**

Useable interior height:

approx. 400 mm (without perforated metal plate insert)

Type 90 Underbench cabinets with 2 wing doors

Model	Material, colour	recommended quantity	Order No.
VBF.60.89-T , Underbench cabinet, with wing doors	light grey, RAL 7035		21206
Interior equipment			
Bottom collecting sump (V=20 ltr.)	sheet-steel, plastic laminated	1	12681
Perforated insert	sheet-steel, plastic laminated	1	11165
Shelf	sheet-steel, plastic laminated	1	12680
VBF.60.89.5-T , Underbench cabinet, with wing doors	light grey, RAL 7035		21196
Interior equipment			
Bottom collecting sump (V=18 ltr.)	sheet-steel, plastic laminated	1	18810
Perforated insert	sheet-steel, plastic laminated	1	18811
Shelf	sheet-steel, plastic laminated	1	16591
Accessories (both models)			
Movable plinth, height 30 mm	sheet-steel, plastic laminated		21892
Movable plinth, height 65 mm (30 mm + 35 mm faceplate)	sheet-steel, plastic laminated		21894

«« Safety Storage Cabinets

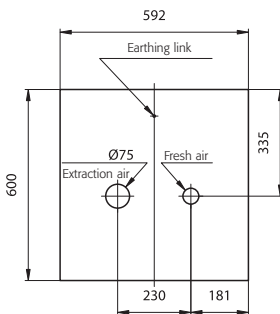
Type 90 Underbench cabinets



Model **VBF.60.59-S** with 1 drawer



Model **VBF.60.59.5-S** with 1 drawer



Back view both cabinets

Ventilation (both cabinets)

Extraction air connection \varnothing	mm	75
Change of air (10 times)	m ³ /h	2
Pressure drop	Pa	1

Safety Storage Cabinets

90 minutes fire resistance in accordance with **EN 14470-1**

(90 minutes fire rated - Type 90)

GS and CE conformity

Labelling in accordance with **EN 14470-1**

VBF.60.59-S

Dimensions W x D x H (mm):

exterior approx. 590 x 570 x 600

interior approx. 470 x 450 x 500

Weight: **approx. 123 kg**

Drawer

Dimensions W x D x H (mm):

approx. 422 x 442 x 80

Capacity: **approx. 22 ltr.**

Load capacity (evenly distributed load): **50 kg**

VBF.60.59.5-S

Dimensions W x D x H (mm):

exterior approx. 590 x 500 x 600

interior approx. 470 x 380 x 500

Weight: **approx. 113 kg**

Drawer

Dimensions W x D x H (mm):

approx. 422 x 372 x 80

Capacity: **approx. 20 ltr.**

Load capacity (evenly distributed load): **50 kg**

Type 90 Underbench cabinets with 1 drawer

Model	Material, colour	recommended quantity	Order Code
VBF.60.59-S , Underbench cabinet, with drawer	light grey, RAL 7035		21186
Interior equipment			
Second level drawer	sheet-steel, plastic laminated		9323
VBF.60.59.5-S , Underbench cabinet, with drawer	light grey, RAL 7035		21338
Accessories (both models)			
Movable plinth, height 30 mm	sheet-steel, plastic laminated		21712
Movable plinth, height 65 mm (30 mm + 35 mm faceplate)	sheet-steel, plastic laminated		21893

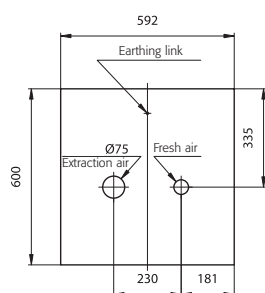
Type 90 Underbench cabinets



Model VBF.60.59-T with 1 wing door



Model VBF.60.59.5-T with 1 wing door



Back view both cabinets

Ventilation (both cabinets)

Extraction air connection \varnothing	mm	75
Change of air (10 times)	m ³ /h	2
Pressure drop	Pa	1

Safety Storage Cabinets

90 minutes fire resistance in accordance with **EN 14470-1**

(90 minutes fire rated - Type 90)

GS and CE conformity

Labelling in accordance with **EN 14470-1**

VBF.60.59-T

Dimensions W x D x H (mm):

exterior approx. 590 x 570 x 600

interior approx. 470 x 450 x 500

Weight: **approx. 102 kg**

Shelf

Dimensions W x D x H (mm):

approx. 460 x 415 x 20

Load capacity (evenly distributed load): **75 kg**

Capacity of the bottom collecting sump: **approx. 11 ltr.**

Useable interior height:

approx. 400 mm (without perforated metal plate insert)

VBF.60.59.5-T

Dimensions W x D x H (mm):

exterior approx. 590 x 500 x 600

interior approx. 470 x 380 x 500

Weight: **approx. 96 kg**

Shelf

Dimensions W x D x H (mm):

approx. 460 x 345 x 20

Load capacity (evenly distributed load): **75 kg**

Capacity of the bottom collecting sump: **approx. 10 ltr.**

Useable interior height:

approx. 400 mm (without perforated metal plate insert)

Type 90 Underbench cabinets with 1 wing door

Model	Material, colour	recommended quantity	Order Code
VBF.60.59-T , Underbench cabinet, with wing door	light grey, RAL 7035		21193
Interior equipment			
Bottom collecting sump (V=14 ltr.)	sheet-steel, plastic laminated	1	7270
Perforated insert	sheet-steel, plastic laminated	1	5555
Shelf	sheet-steel, plastic laminated	1	7275
VBF.60.59.5-T , Underbench cabinet, with wing door	light grey, RAL 7035		18809
Interior equipment			
Bottom collecting sump (V=12 ltr.)	sheet-steel, plastic laminated	1	17671
Perforated insert	sheet-steel, plastic laminated	1	18814
Shelf	sheet-steel, plastic laminated	1	16594
Accessories (both models)			
Movable plinth, height 30 mm	sheet-steel, plastic laminated		21712
Movable plinth, height 65 mm (30 mm + 35 mm faceplate)	sheet-steel, plastic laminated		21893