

## Type G90 Fire resistant gas cylinder cabinets

### The fire resistant Maximum safety.

Temperature increase of less than 50 K on the cylinder after 90 minutes according to EN 14470-2.

**G90** EN 14470-2  
90 minutes  
max. 50 k increase of temperature  
FIRE CHAMBER TESTED - TYPE PROVED

#### Indoor storage and provision of pressurised gas cylinders according to EN 14470-2 (G90)

##### Optimal and maximum fire protection

- Optimum and highest possible fire protection: compliance with the max. temperature increase allowed on the surface of bottle valve bracket of 50 K after 90 minutes according to EN 14470-2
- Extraction air inlet on the top
- Adjusting aids to compensate for uneven floor
- Earthing link (standard)

##### Construction

- Large interior height (**1858 mm**), easy and convenient installation of gas fittings and pipes

##### Wing doors

- Door locks in place at 0° (even if the doors are not locked)



1858 mm interior height, easy and efficient installation of gas fittings and pipes.



- 180° max. opening angle, interior of the cabinet completely visible

##### Pipes

- Up to 72 lead-through points possible for pipes, sensors etc. in the ceiling of the cabinet

##### Interior equipment

###### Rolling ramp:

- Rigidly fixed in the cabinet, lightweight
- Convenient and safe use, dampened folding down
- Low rolling edge, high safety when manoeuvring cylinders into the cabinet

###### Cylinder retainer:

- Across the whole width of the cabinet
- Distance between the cylinders and the rear panel, gives plenty of space for flexible spiral piping

##### Ventilation

- Complete, uniform ventilation of

cabinet interior (floor and ceiling)

- Air extraction (120 times air change) with pressure drop below 150 Pa, confirmed by examination

##### Accessories

- Height adjustable and tilt-resistant shelf (loading capacity 75 kg, evenly distributed load), across the whole cabinet width
- Cylinder retainer, height adjustable for 10 ltr. cylinder types



Cylinder locking (suitable for existing master-key systems).

RAL 1004

RAL 7035



EN



Rolling ramp can be easily hinged down without the need to bend down, easy and safe operation.

## Type G90 Fire resistant gas cylinder cabinets - Overview

Safe storage and provision of pressurised gas cylinders according to EN 14470-2 (G90)



**Model G90.205.140** Fire resistant gas cylinder cabinet with standard interior equipment (cylinders and gas fittings are not included in supplied items) (page 88)



**Model G90.205.60** Fire resistant gas cylinder cabinet with standard interior equipment (cylinders and gas fittings are not included in supplied items) (page 89)



**Model G90.205.120** Fire resistant gas cylinder cabinet with standard interior equipment (cylinders and gas fittings are not included in supplied items) (page 88)

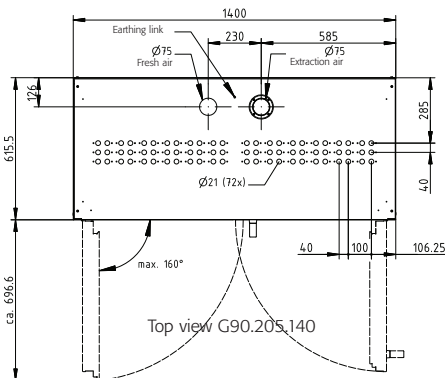


**Model G90.205.90** Fire resistant gas cylinder cabinet with standard interior equipment (cylinders and gas fittings are not included in supplied items) (page 89)

## Type G90 Fire resistant gas cylinder cabinets

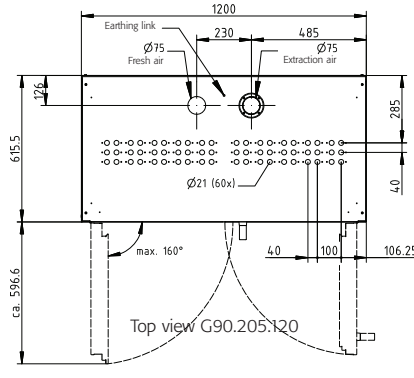


Model G90.205.140 Fire resistant gas cylinder cabinet with standard interior equipment



### Extraction air connection

Connection Ø	(mm)	75
Change of air	10 times	m <sup>3</sup> /h 10
Pressure drop	(Pa)	3
Change of air	120 times	m <sup>3</sup> /h 118
Pressure drop	(Pa)	150



### Extraction air connection

Connection Ø	(mm)	75
Change of air	10 times	m <sup>3</sup> /h 8,5
Pressure drop	(Pa)	2
Change of air	120 times	m <sup>3</sup> /h 101
Pressure drop	(Pa)	110

### Gas cylinder cabinets

- Fire resistance **90 minutes** according to **EN 14470-2 (G90)**
- GS approved
- Labelling according to **EN 14470-2**

## G90.205.140

- Cabinet dimensions W x D x H (mm):  
**exterior: approx. 1400 x 615 x 2050**  
**interior: approx. 1240 x 425 x 1858**
- Weight: **approx. 690 kg**

### Standard interior equipment

- Rolling ramp made from galvanised, corrugated sheet steel (standard version)
- Adjustable rails to fix manifolds and fittings
- Cylinder retainer with ratched straps for 4 cylinders

### Pipes

- Up to 72 lead-through points possible for pipes, sensors etc. in the ceiling of the cabinet

## G90.205.120

- Cabinet dimensions W x D x H (mm):  
**exterior: approx. 1200 x 615 x 2050**  
**interior: approx. 1040 x 425 x 1858**
- Weight: **approx. 610 kg**

### Standard interior equipment

- Rolling ramp made from galvanised, corrugated sheet steel (standard version)
- Adjustable rails to fix manifolds and fittings
- Cylinder retainer with ratched straps for 4 cylinders

### Pipes

- Up to 60 lead-through points possible for pipes, sensors etc. in the ceiling of the cabinet

### G90 Gas cylinder cabinets

Model	Material, colour	recommended quantity	Order Code
G90.205.140, 2 wing doors, excl. interior equipment	light grey, RAL 7035		<b>17847</b>
G90.205.140-G, 2 wing doors, excl. interior equipment	yellow, RAL 1004		<b>18980</b>
<b>Standard interior equipment</b>	fold-away ramp, mounting rails, cylinder retainer		<b>18567</b>
<b>Comfort interior equipment</b>	fold-away ramp comfort, mounting rails, cylinder retainer	1	<b>19552</b>
G90.205.120, 2 wing doors, excl. interior equipment	light grey, RAL 7035		<b>17578</b>
G90.205.120-G, 2 wing doors, excl. interior equipment	yellow, RAL 1004		<b>18977</b>
<b>Standard interior equipment</b>	fold-away ramp, mounting rails, cylinder retainer		<b>18566</b>
<b>Comfort interior equipment</b>	fold-away ramp comfort, mounting rails, cylinder retainer	1	<b>19556</b>

## Type G90 – Fire resistant gas cylinder cabinets



### Gas cylinder cabinets

- Fire resistance **90 minutes** according to EN 14470-2 (G90)
- GS approved
- Labelling according to EN 14470-2

### G90.205.90

- Cabinet dimensions W x D x H (mm):  
**exterior: approx. 900 x 615 x 2050**  
**interior: approx. 740 x 425 x 1858**
- Weight: **approx. 490 kg**

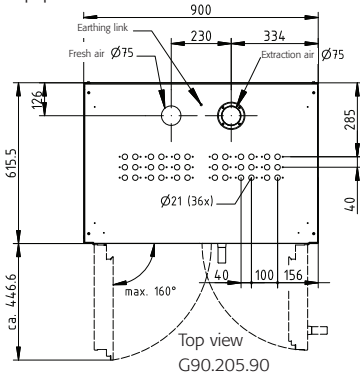
### Standard interior equipment

- Rolling ramp made from galvanised, corrugated sheet steel (standard version)
- Adjustable rails to fix manifolds and fittings
- Cylinder retainer with ratched straps for 3 cylinders

### Pipes

- Up to 36 lead-through points possible for pipes, sensors etc. in the ceiling of the cabinet

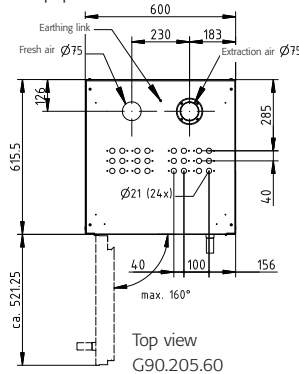
**Model G90.205.90** Fire resistant gas cylinder cabinet with standard interior equipment



### Extraction air connection

Connection Ø		(mm)	75
Change of air	10 times	m <sup>3</sup> /h	6,5
Pressure drop		(Pa)	2
Change of air	120 times	m <sup>3</sup> /h	76
Pressure drop		(Pa)	63

**Model G90.205.60** Fire resistant gas cylinder cabinet with standard interior equipment



### Extraction air connection

Connection Ø		(mm)	75
Change of air	10 times	m <sup>3</sup> /h	4
Pressure drop		(Pa)	1
Change of air	120 times	m <sup>3</sup> /h	51
Pressure drop		(Pa)	28

### G90.205.60

- Cabinet dimensions W x D x H (mm):  
**exterior: approx. 600 x 615 x 2050**  
**interior: approx. 440 x 425 x 1858**
- Weight: **approx. 365 kg**

### Standard interior equipment

- Rolling ramp made from galvanised, corrugated sheet steel (standard version)
- Adjustable rails to fix manifolds and fittings
- Cylinder retainer with ratched straps for 2 cylinders

### Pipes

- Up to 24 lead-through points possible for pipes, sensors etc. in the ceiling of the cabinet

### G90 Gas cylinder cabinets

Model	Material, colour	recommended quantity	Order Code
<b>G90.205.90</b> , 2 wing doors, excl. interior equipment	light grey, RAL 7035		<b>17812</b>
<b>G90.205.90-G</b> , 2 wing doors, excl. interior equipment	yellow, RAL 1004		<b>18974</b>
<b>Standard interior equipment</b>	fold-away ramp, mounting rails, cylinder retainer		<b>18565</b>
<b>Comfort interior equipment</b>	fold-away ramp comfort, mounting rails, cylinder retainer	1	<b>19560</b>
<b>G90.205.60</b> , 1 wing door, left hand, excl. interior equipment	light grey, RAL 7035		<b>17737</b>
<b>G90.205.60-R</b> , 1 wing door, right hand, excl. interior equipment	light grey, RAL 7035		<b>18966</b>
<b>G90.205.60-G</b> , 1 wing door, left hand, excl. interior equipment	yellow, RAL 1004		<b>18969</b>
<b>G90.205.60-GR</b> , 1 wing door, right hand, excl. interior equipment	yellow, RAL 1004		<b>18971</b>
<b>Standard interior equipment</b>	fold-away ramp, mounting rails, cylinder retainer		<b>18561</b>
<b>Comfort interior equipment</b>	fold-away ramp comfort, mounting rails, cylinder retainer	1	<b>19564</b>

## Type G90 Fire resistant gas cylinder cabinets

### Comparison of rolling ramps

#### Version Standard



- Galvanized sheet steel, length 250 mm
- chamfers to prevent slippage of cylinders
- Hand operation of the rolling ramp for
  - hinging down
  - easily lifting and
  - hinging upwithout the need to bend down
- Rolling ramp is flush with the floor of the cabinet, easy and safe pulling/rolling out of gas cylinders

#### Version Comfort



- Galvanized, corrugated sheet steel, cathodic dip-coated (black), sturdy, scratch and impact resistant
- Corrugated for optimal prevention from slippage of cylinders
- Length 350 mm, flat angle
- Hand operation of the rolling ramp with pneumatic damping for
  - hinging down
  - easily lifting and
  - hinging upwithout the need to bend down
- Rolling ramp is flush with the floor of the cabinet, easy and safe pulling/rolling out of gas cylinders