

## Cabinets for acids and alkalis

### The Resistant -

Even if it gets aggressive!

The cabinets for acids and alkalis offer an optimal safety for the storage of aggressive hazardous materials.

Two separated storage compartments with integrated drawers, allow the safe storage and removal of hazardous materials.

#### Safe and approved storage of aggressive hazardous materials at the workplace

**Special cabinet for safe storage of corrosive hazardous materials, especially acids and alkalis. Not suitable for the storage of flammable liquids!**

##### Construction

- Outer corpus made of sheet-steel, plastic laminated
- Inner corpus made from melamine-coated special workplates for high chemical resistance
- Special plastic lip seals prevent dangerous vapours escaping from the inside of the cabinet
- **Two hermetically separated storage compartments**
- Adjusting aids to compensate for uneven floor
- **Entire door locking mechanism outside the storage compartment, increased protection of moving and safety relevant components against corrosion**

##### Wing doors

- Opening more than 90 °
- Each door can be used and locked separately (cylinder lock, can be integrated into existing master-key system)

##### Pull-out shelves

- Sturdy construction
- Removable PP tray with high chemical resistance - impervious to fluids

##### Ventilation

- **Corrosion proof, metal free air ducts**
- Separate extraction air of storage compartments.
- Permanent ventilation via only one extraction air inlet at the top of the cabinet

RAL 7035



Sturdy pull-out shelf



Removable PP tray

## Cabinets for acids and alkalis - Overview



**Model SL.196.120** Cabinet for acids and alkalis with 12 pull-out shelves incl. removable PP trays (page 72)



**Model SL.196.60** Cabinet for acids and alkalis with 6 pull-out shelves incl. removable PP trays (page 72)



**Model SL.60.110** Cabinet for acids and alkalis with 4 pull-out shelves incl. removable PP trays (page 73)



**Model SL.60.59** Cabinet for acids and alkalis with 2 pull-out shelves incl. removable PP trays (page 73)

## Cabinets for acids and alkalis



**Model SL.196.120**  
Cabinet for acids and alkalis with 12 pull-out shelves incl. removable PP trays

**Model SL.196.60**  
Cabinet for acids and alkalis with 6 pull-out shelves incl. removable PP trays

Special cabinet for safe storage of corrosive hazardous materials, especially acids and alkalis. Not suitable for the storage of flammable liquids!

### SL.196.120

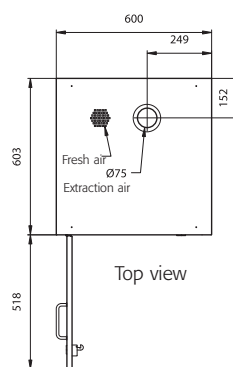
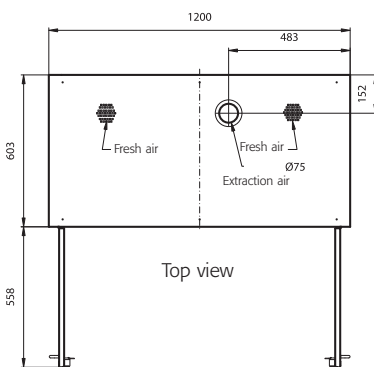
#### Technical data

- Dimensions W x D x H (mm):  
**exterior approx. 1200 x 605 x 1970**  
**interior approx. 485 x 565 x 1865**  
(per compartment)
- Weight: **approx. 216,5 kg**
- Drawer load capacity (evenly distributed load): **approx. 25 kg**
- Sump usable storage space  
W x D x H (mm):  
**approx. 415 x 425 x 76**
- Capacity: **approx. 15 ltr.**

### SL.196.60

#### Technical data

- Dimensions W x D x H (mm):  
**exterior approx. 600 x 605 x 1970**  
**interior approx. 485 x 565 x 930**  
(per compartment)
- Weight: **approx. 136,5 kg**
- Drawer load capacity (evenly distributed load): **approx. 25 kg**
- Sump usable storage space  
W x D x H (mm):  
**approx. 415 x 425 x 76**
- Capacity: **approx. 15 ltr.**



### Cabinets for acids and alkalis

Model	Material, colour	recommended quantity	Order Code
<b>SL.196.120</b> , Cabinet for acids and alkalis	light grey, RAL 7035		<b>20762</b>
<b>Interior equipment</b>			
8 pull-out shelves	incl. removable PP trays		<b>2 x 18412</b>
12 pull-out shelves	incl. removable PP trays		<b>2 x 18409</b>
<b>SL.196.60</b> , Cabinet for acids and alkalis, left hand door	light grey, RAL 7035		<b>20763</b>
<b>SL.196.60-R</b> , Cabinet for acids and alkalis, right hand door	light grey, RAL 7035		<b>20764</b>
<b>Interior equipment</b>			
4 pull-out shelves	incl. removable PP trays		<b>18412</b>
6 pull-out shelves	incl. removable PP trays		<b>18409</b>

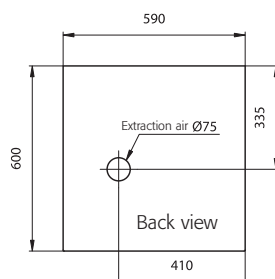
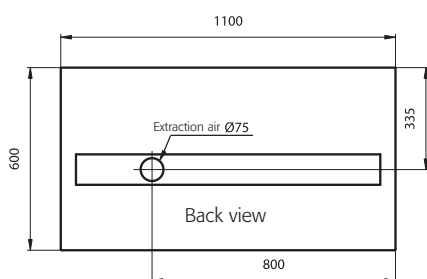
## Cabinets for acids and alkalis



**Model SL.60.110** Cabinet for acids and alkalis with 4 pull-out shelves incl. removable PP trays



**Model SL.60.59** Cabinet for acids and alkalis with 2 pull-out shelves incl. removable PP trays



**Special cabinet for safe storage of corrosive hazardous materials especially acids and alkalis**  
**Not suitable for the storage of flammable liquids!**

### SL.60.110

#### Technical data

- Dimensions W x D x H (mm):  
**exterior approx. 1100 x 570 x 600**  
 (total depth inc. duct: 620 mm)  
**interior approx. 485 x 550 x 530**  
 (per compartment)
- Weight: **approx. 54 kg**
- Drawer load capacity (evenly distributed load): **approx. 25 kg**
- Sump usable storage space  
 W x D x H (mm):  
**approx. 415 x 425 x 76**
- Capacity: **approx. 16 ltr.**

### SL.60.59

#### Technical data

- Dimensions W x D x H (mm):  
**exterior approx. 590 x 570 x 600**  
**interior approx. 485 x 550 x 560**
- Weight: **approx. 36 kg**
- Drawer load capacity (evenly distributed load): **approx. 25 kg**
- Sump usable storage space  
 W x D x H (mm):  
**approx. 415 x 425 x 76**
- Capacity: **approx. 16 ltr.**

### Cabinets for acids and alkalis

Model	Material, colour	recommended quantity	Order No.
<b>SL.60.110</b> , Underbench cabinet for acids and alkalis	light grey, RAL 7035		<b>20767</b>
<b>Interior equipment</b>			
2 pull-out shelves	incl. removeable PP trays		<b>12502</b>
4 pull-out shelves	incl. removeable PP trays		<b>12239</b>
<b>Accessories</b>			
Movable plinth, height 30 mm	sheet-steel, plastic laminated		<b>19705</b>
Movable plinth, height 65 mm (30 mm + 35 mm faceplate)	sheet-steel, plastic laminated		<b>21895</b>
<b>SL.60.59</b> , Cabinet for acids and alkalis, left hand door	light grey, RAL 7035		<b>20769</b>
<b>SL.60.59-R</b> , Cabinet for acids and alkalis, right hand door	light grey, RAL 7035		<b>20770</b>
<b>Interior equipment</b>			
1 pull-out shelves	incl. removeable PP trays		<b>18168</b>
2 pull-out shelves	incl. removeable PP trays		<b>12502</b>
<b>Accessories</b>			
Movable plinth, height 30 mm	sheet-steel, plastic laminated		<b>21712</b>
Movable plinth, height 65 mm (30 mm + 35 mm faceplate)	sheet-steel, plastic laminated		<b>21893</b>